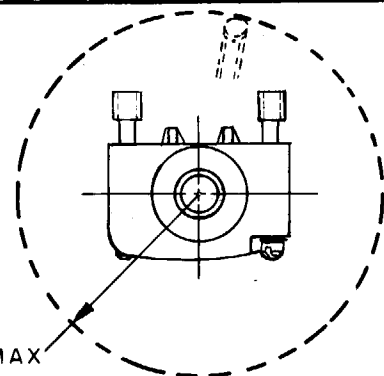
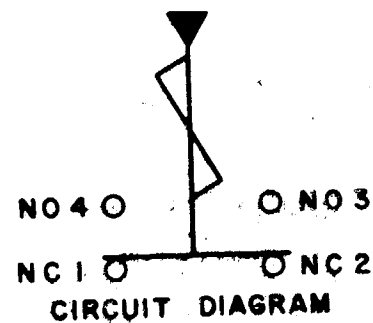


**SWITCH - ENCLOSED**

CATALOG LISTING  
**208LS1**



1.125 MAX  
 OPERATING  
 POSITION

SWITCH WILL OPERATE BY  
 MOVING ACTUATOR IN ANY  
 DIRECTION EXCEPT PULL

5.550 ± .100

ELASTOMER PLUNGER SEAL  
 SECURED TO COMPONENTS BY  
 EXTERNAL BANDING

2.664 ± .010

CAPTIVE MOUNTING  
 SCREW (2)

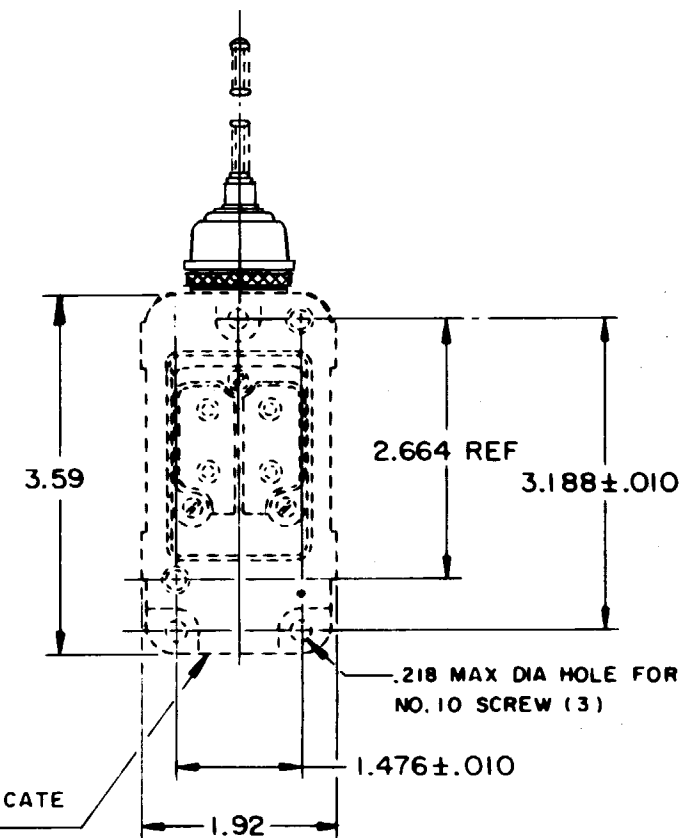
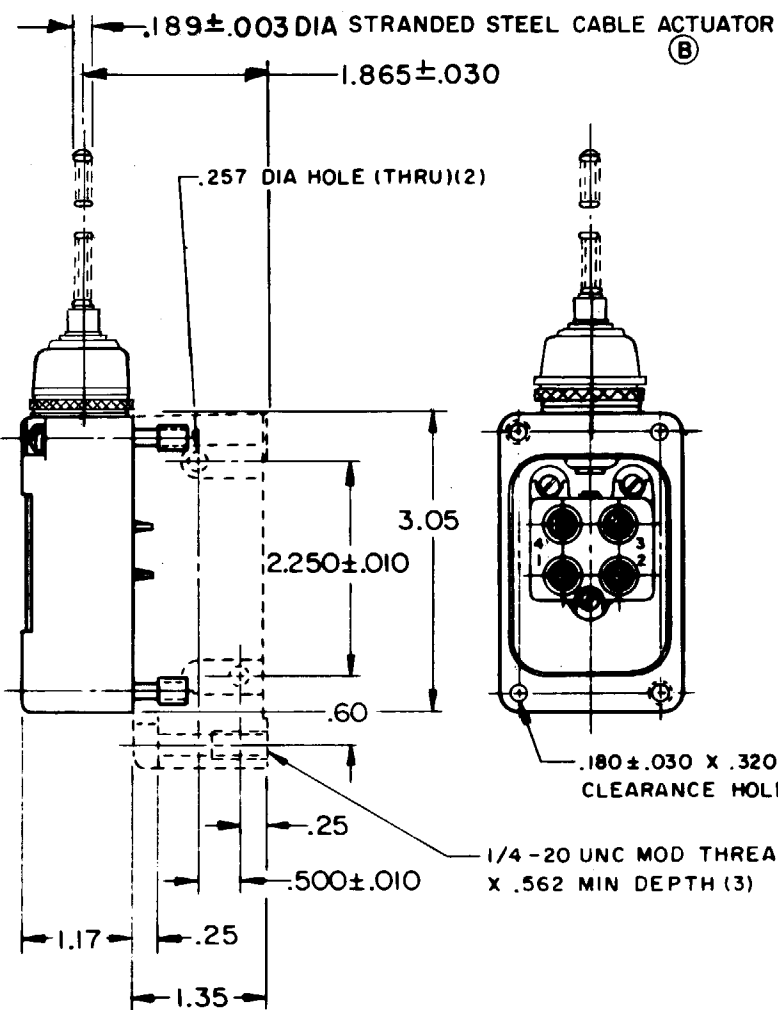
.18

.738

1.476 ± .010

.79

1/2 - 14 NPT THREAD



DOTTED LINES INDICATE  
 18 PAI IN PLACE

FORMTEK  
 FO-80378-003  
 DRAWN  
 WEG 24 JUNE 65  
 CHECK  
 LDD 25 JUNE 65  
 CHECK  
 JAF 22 MAR 99  
 E CO94494  
 JDB 22 DEC 93  
 D CO-77031  
 DAW 19 APR 69  
 C CO25152  
 RER 15 OCT 68  
 B CO24612  
 WEG 24 JUNE 65  
 A CO15200  
 REVISIONS  
 ISSUE 11  
 DRAWING NUMBER  
 M  
 208LS1  
 PAGE 1 OF 1  
 REPLACES  
 RELEASE NO.

THIS DRAWING COVERS A PROPRIETARY ITEM AND IS THE PROPERTY OF MICRO SWITCH, A DIVISION OF MINNEAPOLIS-HONEYWELL REGULATOR CO. THIS DRAWING IS NOT TO BE COPIED OR USED WITHOUT THE APPROVAL OF MICRO SWITCH.

| CHARACTERISTICS                       |
|---------------------------------------|
| OPERATING FORCE - - - - - 5 OZ MAX    |
| FORCE AT 2.0 - - - - - 10 OZ MAX      |
| SWITCH - BASIC REPLACEMENT - - - 2MN9 |

| ELECTRICAL DATA  |
|--|
| CONTACT ARRANGEMENT<br>(SEE CIRCUIT DIAGRAM)   |
| 10A-120, 240, OR 480 VAC; 1/4 HP - 120 VAC<br>1/2 HP - 240 VAC; 0.8A - 115 VDC; 0.4A - 230 VDC<br>.1A - 550 VDC<br>PILOT DUTY: 600 VAC MAX |

| SCALE 1/2 TO 1   |
|--|
| DO NOT SCALE PRINT   |
| UNLESS OTHERWISE NOTED<br>DIMENSIONS ARE IN INCHES<br><b>TOLERANCES ARE:</b> |
| ONE PLACE (.0) ± .030  |
| TWO PLACE (.00) ± .015   |
| THREE PLACE (.000) ± .008  |
| ANGLES ±   |
| WEIGHT   |